

COOL FLAME 1000 FIREPLACE

WATER VAPOUR FIREPLACE

Net Zero fireplace with Optimyst® technology

OPTIMYST® TECHNOLOGY

This technology utilizes ultra-fine water mist and LED lighting to simulate the appearance of real flames and smoke. The water mist, produced by a silent ultrasonic atomizer, is illuminated by LED lights, creating a convincing illusion of flames and smoke that is almost indistinguishable from a real fire. You can change the colour and intensity of the flame, adapting the atmosphere of the fireplace to your tastes or interior design.

CUSTOMIZABLE FIREBOX

Cool Flame Fireplace has a unique firebox that gives you the option to install the fireplace in one of four possible arrangements.



REMOTE CONTROL

The remote control feature designed for your convenience. With a practical remote, you can easily control all the features of the fireplace without having to get up from your couch.



EASY REFILLING

Cool Flame is designed for ease of use, featuring a simple water dispensing mechanism that works with standard tap water. It has a removable water tank that can be easily and effortlessly taken out, refilled, and then put back in place, ensuring uncomplicated operation and maintenance.



SOUND OF CRACKLING WOOD

Includes a realistic wood crackling sound effect, enhancing the experience of a traditional fire. Cool Flame comes with an optional log set, enhancing the authentic fireplace experience and adding an extra touch of traditional charm to your modern fireplace.



Cool Flame 1000 Fireplace

Tank capacity	1.2 L
Maximum operation time	12 hours
Heating function	does not apply
Flame height regulation	6 stages
Weight	37.5 kg
Water type	filtered tap water / distilled water
Flue	not required
Power supply	230 V, 50 Hz
Finish	black powder coating
Materials	steel, glass
Application	for indoor use only

CONTROL OPTIONS



included



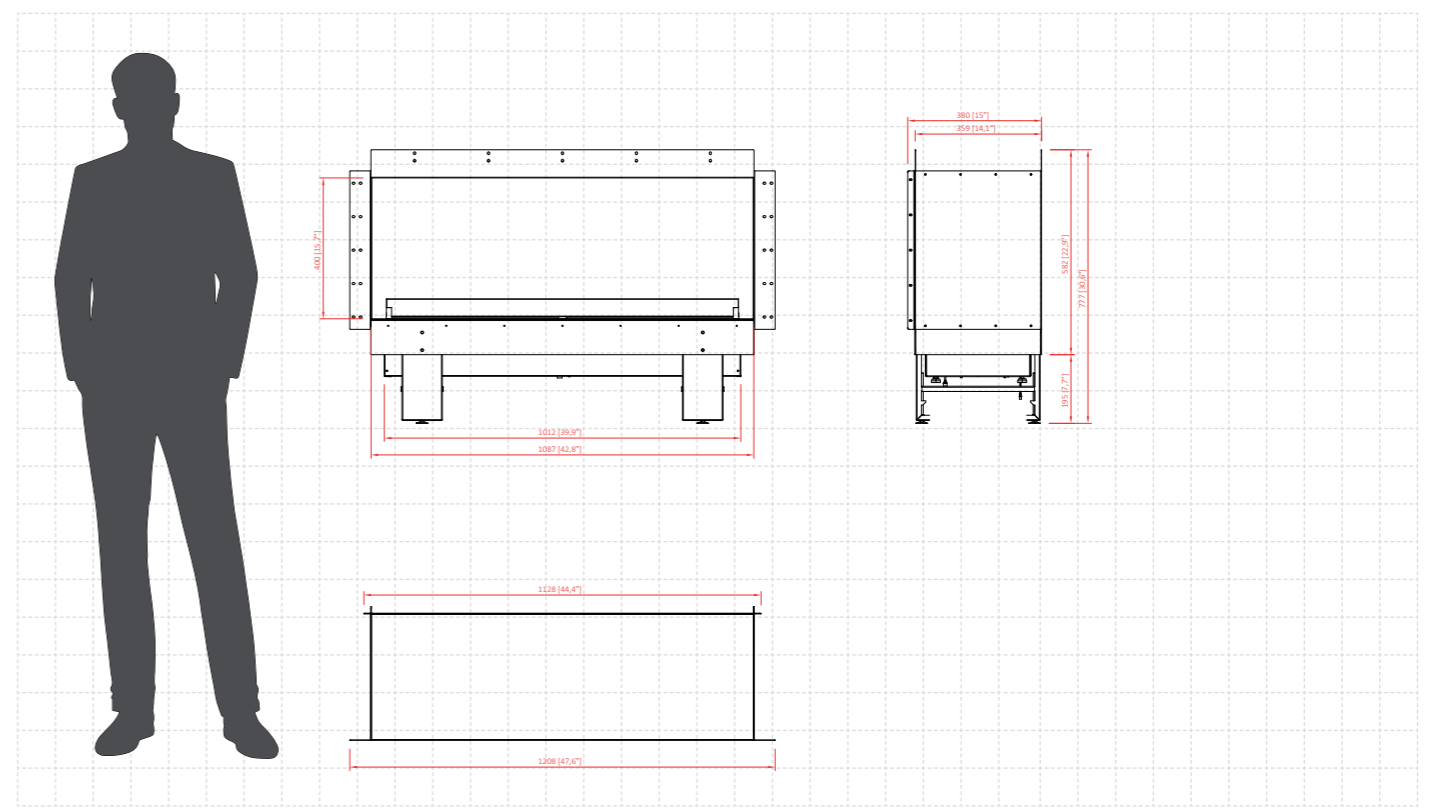
SINGLE-SIDED

LEFT CORNER

RIGHT CORNER

THREE-SIDED

CUSTOMIZABLE FIREBOX



COOL FLAME 1000 PRO FIREPLACE

WATER VAPOUR FIREPLACE

Net Zero fireplace with Optimyst® technology

OPTIMYST® TECHNOLOGY

This quiet ultrasonic device produces a mist that is then illuminated, simulating flames. This effect creates the illusion of fire, which is both visually appealing and safe.

ACTIVE LED

Multidimensional steam backlighting with the ability to change color and intensity, providing unique experiences. Special spectral lenses scatter light, allowing for the creation of flames in a full color spectrum.



REMOTE CONTROL

The remote control feature designed for your convenience. With a practical remote, you can easily control all the features of the fireplace without having to get up from your couch.



SOUND OF CRACKLING WOOD

Includes a realistic wood crackling sound effect, enhancing the experience of a traditional fire. Cool Flame comes with an optional log set, enhancing the authentic fireplace experience and adding an extra touch of traditional charm to your modern fireplace.



CUSTOMIZABLE FIREBOX

Cool Flame Fireplace has a unique firebox that gives you the option to install the fireplace in one of four possible arrangements.

Cool Flame 1000 Pro Fireplace

Water supply	supplied from water network
Maximum operation time	does not apply - unlimited
Heating function	does not apply
Flame height regulation	6 stages
Weight	38.0 kg
Water type	filtered tap water
Flue	not required
Power supply	230 V, 50 Hz
Finish	black powder coating
Materials	steel, glass
Application	for indoor use only

CONTROL OPTIONS



included



SINGLE-SIDED

LEFT CORNER

RIGHT CORNER

THREE-SIDED

CUSTOMIZABLE FIREBOX

